



ARCHITECTURAL
METALFORMERS

SMART AND INNOVATIVE

100% NZ owned, Architectural Metalformers have been market leaders in manufacturing and installing roofing, cladding, sheetmetal and rainwater systems for over 20 years to the architectural and construction community.



YOUR VISION – OUR PURPOSE

Architectural Metalformers have been designing, manufacturing and installing premier roofing, cladding, sheetmetal and rainwater systems since 1996.

We are fortunate enough to work with some of the leading Architects, Specifiers, Designers and Builders in New Zealand, from the initial concept through to installation. Our work can be seen on some of Auckland's finest residential and commercial properties including the Auckland War Memorial Museum and ASB Building in the Wynyard Quarter.

For us, our reward comes from seeing **Your Vision** come to life – transforming sketches, conversations, ideas and dreams into reality. Our culture is built on bringing together a vast amount of knowledge and experience, reflected in our **smart™** range of products.

So whether you are just beginning your journey and need some advice or already have **Your Vision**, call us. After all... we are here for you.



- ☐ DURABLE
- ☐ WATERTIGHT
- ☐ LONGEVITY
- ☐ LOW MAINTENANCE



Featuring: Smart Tray™ Standing Seam Roof. Smart Sheet™ Chimney Louvres and Cappings. Smart Rain™ Rainwater goods.



ROOFING

Our roofing profiles are inspired by traditional European tray roofing techniques, creating an extremely durable and watertight roof and an aesthetic point of difference for your home with our trusted brand.

Our **smart™** range of innovative metal roofing systems are the choice of leading architects and quality builders across the country, adding significant value to every project.

METALS:
copper, zinc, aluminium and steel

ROOFING QUICK GUIDE

- ❑ **Minimum pitch**
A 3° minimum pitch in accordance with E2/AS1.
- ❑ **Maximum span**
For Lock Seam roofing, 450mm distance spacing between purlins.
- ❑ **Maximum length**
Architectural Metalformers have successfully installed panels to 27 metres.
- ❑ **Installation**
Smart Tray™ roofing is only available through **Architectural Metalformers** specialist trained installers.
- ❑ **Venting of plywood substrate**
Recommended for all Skillion roofs, this is achieved through our innovative flashing systems.
- ❑ **Plywood substrate**
All roofs apart from Lock Seam require a solid minimum 15mm treated plywood substrate.
- ❑ **Dissimilar materials**
Care should be taken when selecting materials that are in direct contact with each other. Please contact us if you require more information.
- ❑ **Colours**
Colour charts are available upon request.



Standing Seam

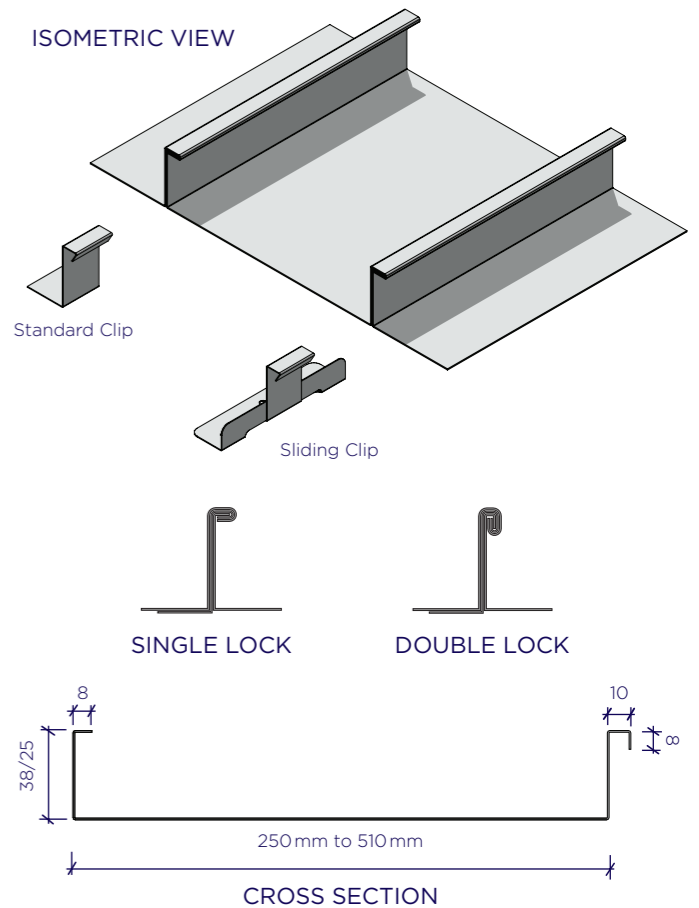
Roofing

Standing Seam offers to New Zealand a traditional European tray roof installed over a solid plywood substrate that will withstand the test of time.

Available with an option of a 25 or 38 mm seam height as well as offering a variable tray width ranging from 250 - 510 mm with a minimum pitch of 3°, which successfully enables designers to conform to height restrictions on most residential projects.

The Standing Seam has two finishes: Single Lock and Double Lock.

METALS:
copper, zinc, aluminium and steel



Featuring: Smart Tray™ Standing Seam 0.9mm Aluminium Roof. Smart Sheet™ Parapet Capping. Smart Rain™ Rainwater goods.

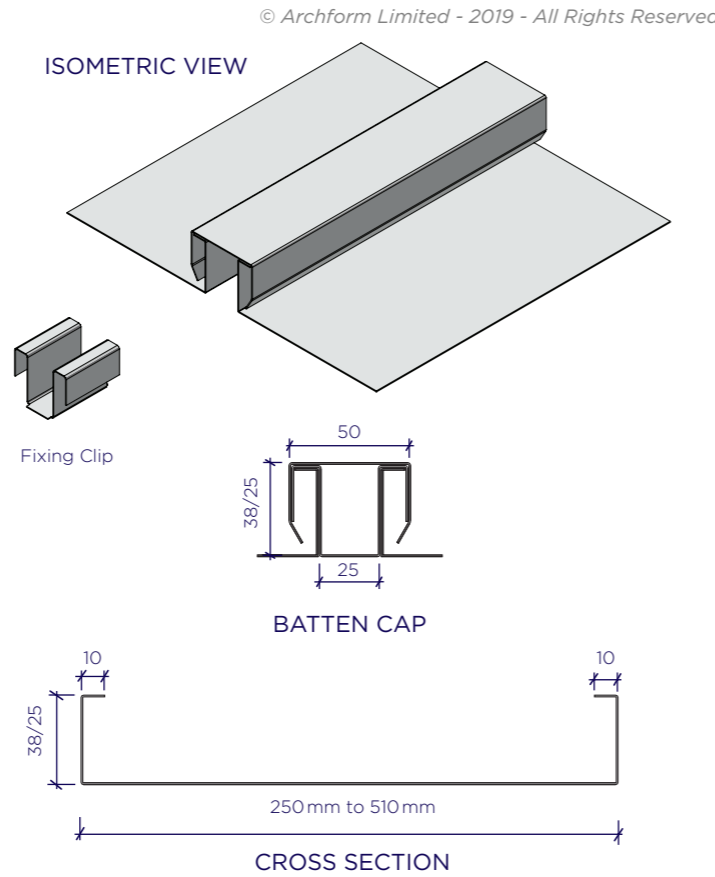




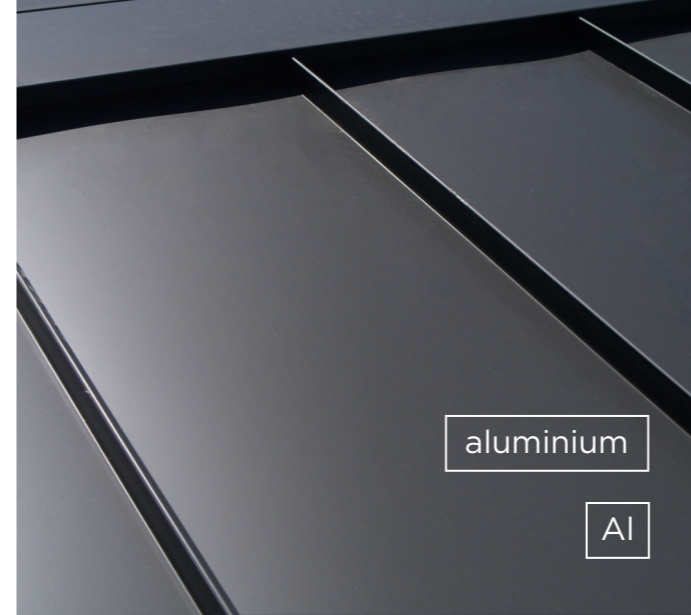
Batten Cap Roofing

In addition to the clean minimalist trays, the thicker 38 x 50mm Batten Cap seam profile adds significant aesthetic value by introducing a board and batten effect to the roof. The enhanced shading effect on the overall roof is effective as lighting conditions change. An interesting combination is alternating Batten Cap and Standing Seam panels.

METALS:
copper, zinc, aluminium and steel



Smart Tray™ Batten Cap 0.9mm Aluminium Roof.

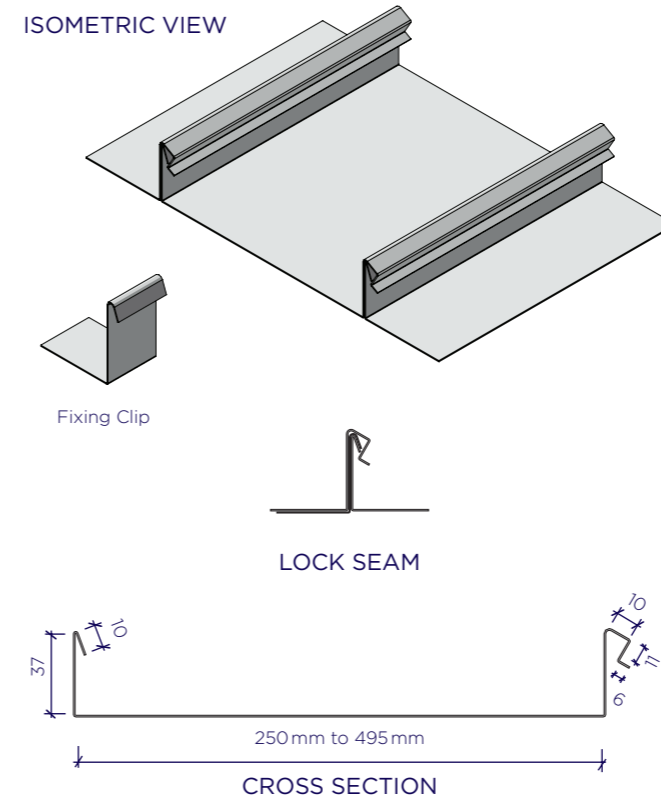


Smart Tray™ Lock Seam 0.8mm Aluminium Roof.



Lock Seam Roofing

The newest to our range offering clients the look of a Standing Seam roof but without the cost of plywood as it is installed directly onto purlins at 450mm centres. This system is installed with the same robust flashing system and attention to detailing as our traditional roofing.



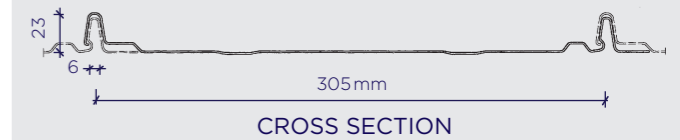
Snap Lock Roofing

METALS:
copper, zinc, aluminium and steel

With its unique profile, this roofing panel is particularly suited to accommodate curved roof designs. With a formed width of 305mm, it can drape either concave or convex, horizontal or vertical applications.

Swaging technology is used to provide a flatter panel which reduces oil canning.

Suitable for a minimum pitch of 5°, this profile is widely used in all residential projects needing to conform to height restrictions and low roof designs.



Smart Tray™ Snap Lock 0.7mm Aluminium Roof.





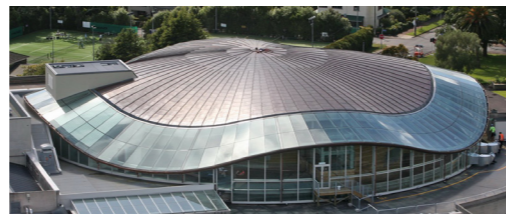
Custom Panel

Roofing

Ideal for bespoke roof panels, these projects typically involve a tapered or splayed panel that requires a lot of pre-design and planning. Examples of this type of panel include:

- the aluminium conical feature roof on the ASB Head Office
- the copper wave dome roof for the Auckland War Memorial Museum in the Auckland Domain
- the curved copper roof on the Vodafone Head Office

METALS:
copper, zinc, aluminium and steel

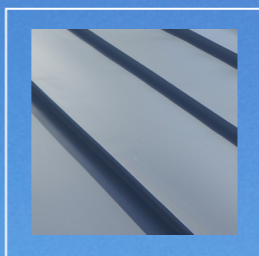


Smart Tray™ Custom Panel 0.9mm Aluminium Roof on the ASB Head Office in the Wynyard Quarter.



aluminium

Al



METAL CLADDING

Looking to enhance the visual impact of your building? Our Smart Tray Metal Cladding systems are a popular choice for metal wall cladding allowing you to create high end architectural statements.

Our systems are influenced by traditional European standing seam tray cladding techniques, that are sought after around the world providing a clean minimalist finish that shows enhanced longitudinal or horizontal seam features with dramatic shading effects.

METALS:
copper, zinc, bronze, aluminium and steel

CLADDING QUICK GUIDE

- Maximum length **Architectural Metalformers** have successfully installed panels to 10 metres.
- **Installation**
Smart Tray Metal Cladding is only available through **Architectural Metalformers** specialist trained installers.
- **Plywood substrate**
All cladding apart from Lock Seam and Interlocking Panel require a solid minimum 15mm treated plywood substrate.
- **Joinery**
A multitude of joinery positions are available with our cladding systems, please contact our technical team at the start of design process.
- **Dissimilar materials**
Care should be taken when selecting materials that are in direct contact with each other. Please contact us if you require more information.
- **Colours**
Colour charts are available upon request.



Standing Seam Cladding

This profile provides a clean minimalist finish that expresses longitudinal seam features creating dramatic shading effects. Façades are carefully formed in the selected metal to give a contemporary look. The trays can be installed in vertical or horizontal orientation and we are able to adjust tray widths to suit the project requirements.

Tray widths vary from 250 – 510 mm with an upstand of 25 mm or 38 mm in single lock.

It is this flexibility that has introduced new elements such as randomly mixed tray sizes across a façade or multiples creating a barcode effect.

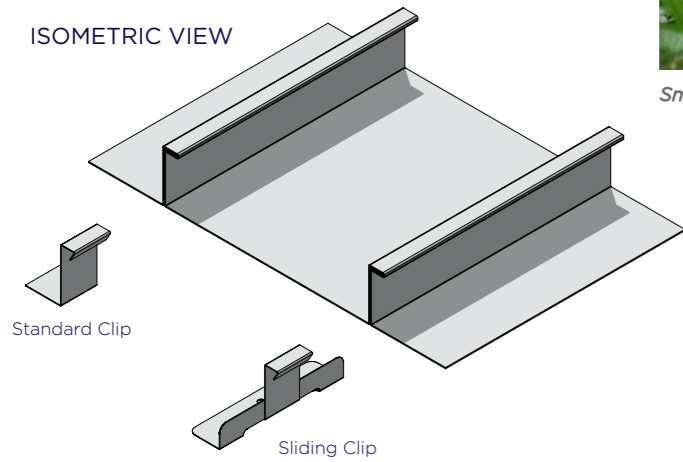
zinc

Zn



Smart Tray Metal Cladding Standing Seam 0.7mm Zinc Cladding.

ISOMETRIC VIEW

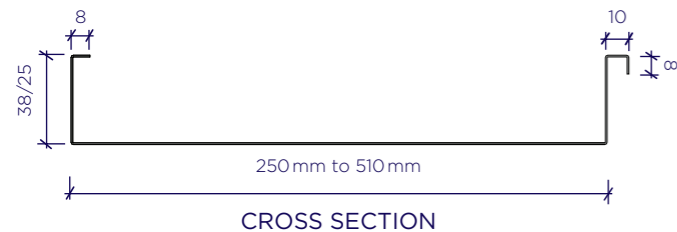


Standard Clip

Sliding Clip

SINGLE LOCK

DOUBLE LOCK



CROSS SECTION

METALS:
copper, zinc, aluminium and steel



Batten Cap Cladding

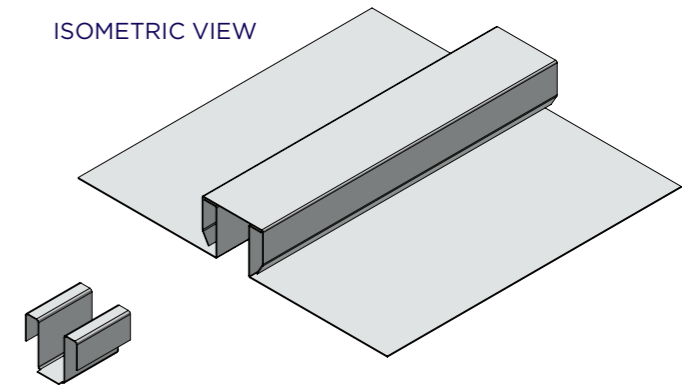
For a contemporary board and batten look, façades are carefully formed in the selected metal.

The enhanced shading effect on the façade is attractive as lighting conditions change.

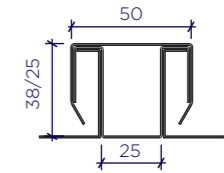
Available in 25 mm or 38 mm x 50 mm Batten Cap seam profile.

METALS:
copper, zinc, bronze, aluminium and steel

ISOMETRIC VIEW



Fixing Clip



BATTEN CAP



CROSS SECTION

Smart Tray Metal Cladding Batten Cap 0.9 mm Bronze Cladding.



bronze

Cu Sn

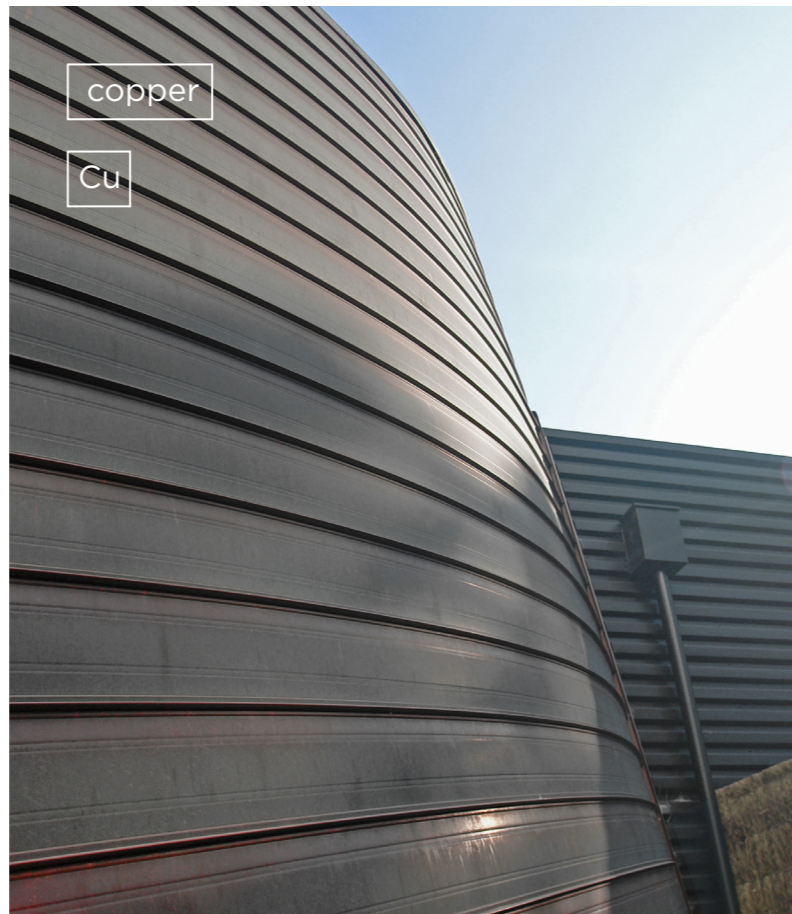
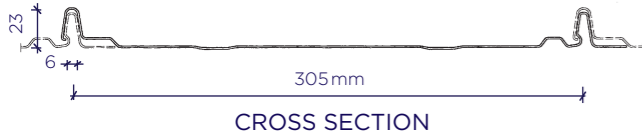
METALS:
copper and zinc

smart tray™

Snap Lock Cladding

Snap Lock profile is suitable for most cladding projects. With its unique narrower profile, it is particularly suited to accommodate curved façade designs with a formed width of 305mm with a 25mm upstand seam.

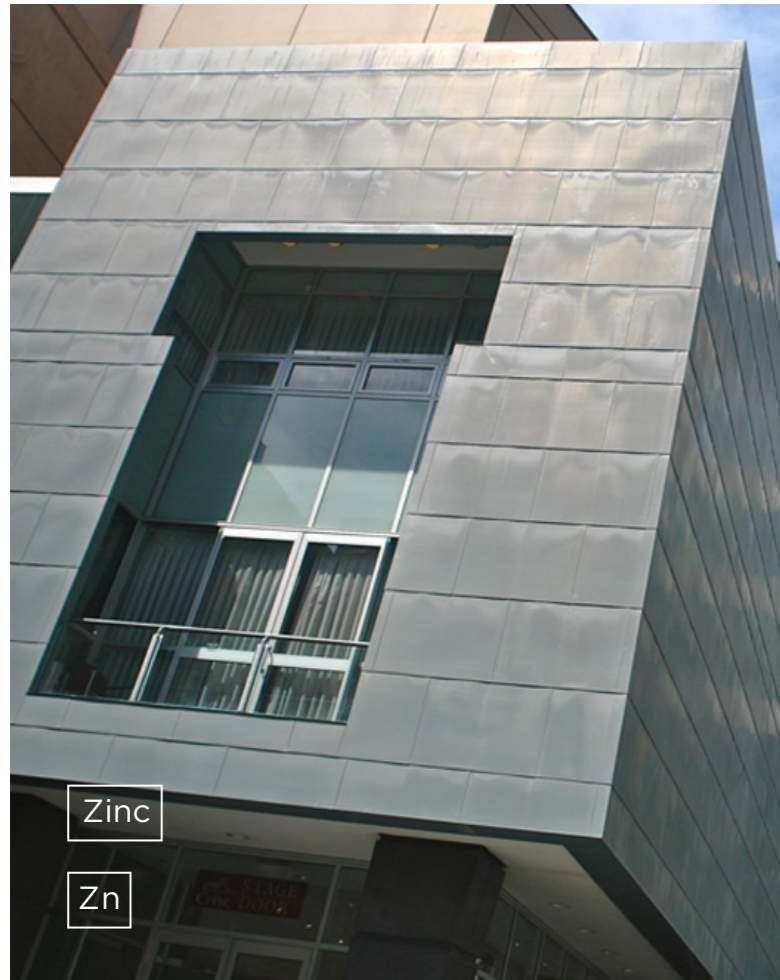
Concave and convex shapes are achieved by draping panels.



Smart Tray Metal Cladding Snap Lock (curved) 0.55mm Copper Cladding on the New Zealand Centre for Conservation Medicine at the Auckland Zoo.

copper
Cu

Smart Tray Metal Cladding Flat Lock 0.7mm Zinc Cladding on the Civic Theatre.



Zinc

Zn

smart tray™

Flat Lock Cladding

An elegant cladding solution, Flat Lock panels are suitable for mid to large format façades with the panels providing an enhanced longitudinal flat seam. The system uses an interlocking fold on all four sides and can be installed either horizontally or vertically. The pre-formed panels are installed with concealed clips.

The system involves laying the panels on a compatible plywood substrate that is fixed to the supporting structure. To ensure the best possible quality and size in relation to the façade, the panels can be manufactured to the individual shape and size requirements.

METALS:
copper and zinc

smart tray™

Interlocking Cladding

Our Interlocking panel system is ideal for a design that requires rain screen cladding in either a vertical or horizontal aspect.

The system consists of interlocking profiled sheets with variable widths ranging from 150 - 300mm being fixed to a metal or timber framework that is in turn fixed to the supporting structure. The panels are connected by the use of an interlocking tongue and groove styled connection giving an elegant negative joint detail.

METALS:
copper, zinc and aluminium



aluminium

Al

Smart Tray Metal Cladding Interlocking 1.6mm Powder Coated Aluminium Cladding.

METALS:
copper, zinc and bronze



copper

Cu



Smart Clad™ Custom Panel 0.6mm Diamond Copper Cladding.

smart tray™

Custom Panel Cladding

Custom Panels are ideal for bespoke cladding projects to create a point of difference. These projects typically involve a tapered, splayed or curved panel that requires pre-design and planning.

Available in shingle, teardrop or diamond shape panels.

smart sheet™

SHEETMETAL

Our in-house sheetmetal workshop is a unique service that specialises in design and development to the completed installation ensuring complete quality control. Using the very best and latest technology that the international market has to offer, it has allowed **Architectural Metalformers** to take sheetmetal work to the highest level.

WE SPECIALISE IN A RANGE OF SMART SHEET™ SHEETMETAL GOODS INCLUDING:

- ❑ custom sheetmetal
- ❑ capping systems
- ❑ cornice systems
- ❑ fascia systems
- ❑ chimney features
- ❑ doors
- ❑ gates
- ❑ column cladding

METALS:

copper, zinc, aluminium and steel

We offer a selection of robust capping systems to ensure complete peace of mind. The premium system of this range is tig-welded powder coated aluminium cappings. **This division proudly provides all Architectural Metalformers products.**

For inspiration on your project please visit our website www.archform.co.nz.

Smart Sheet™ 0.7mm Zinc Capping and Fascia Systems.



smart rain™

RAINWATER

We offer a comprehensive range of custom-made rainwater accessories from custom-made spouting through to large downpipes.

SMART RAIN™ RAINWATER SYSTEMS INCLUDE:

- ❑ Rainwater heads
- ❑ Overflow covers
- ❑ Vent covers
- ❑ Scuppers
- ❑ Custom-made spouting systems with internal or external brackets
- ❑ Downpipes

METALS:

copper, zinc, aluminium and steel

Smart Rain™ Copper Spouting 0.7mm on the Auckland War Memorial Museum.





All of our work is covered by extensive warranties. Please contact us for further details.



ARCHITECTURAL
METALFORMERS

p 09 269 0966
f 09 269 7279

www.archform.co.nz
info@archform.co.nz

